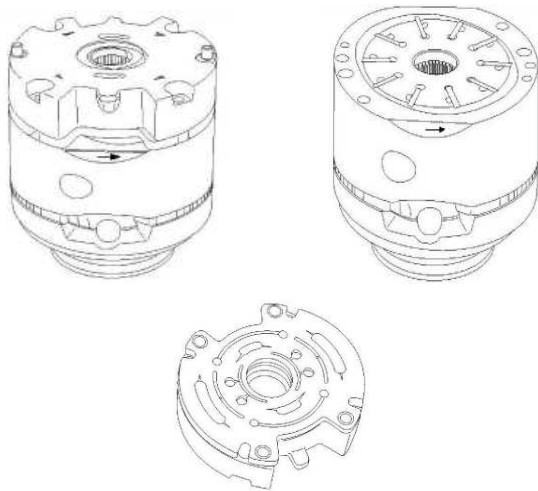




Eaton Vickers Vane Pump V and VQ series Cartridge Kits and Spare Parts

www.hydpump.com

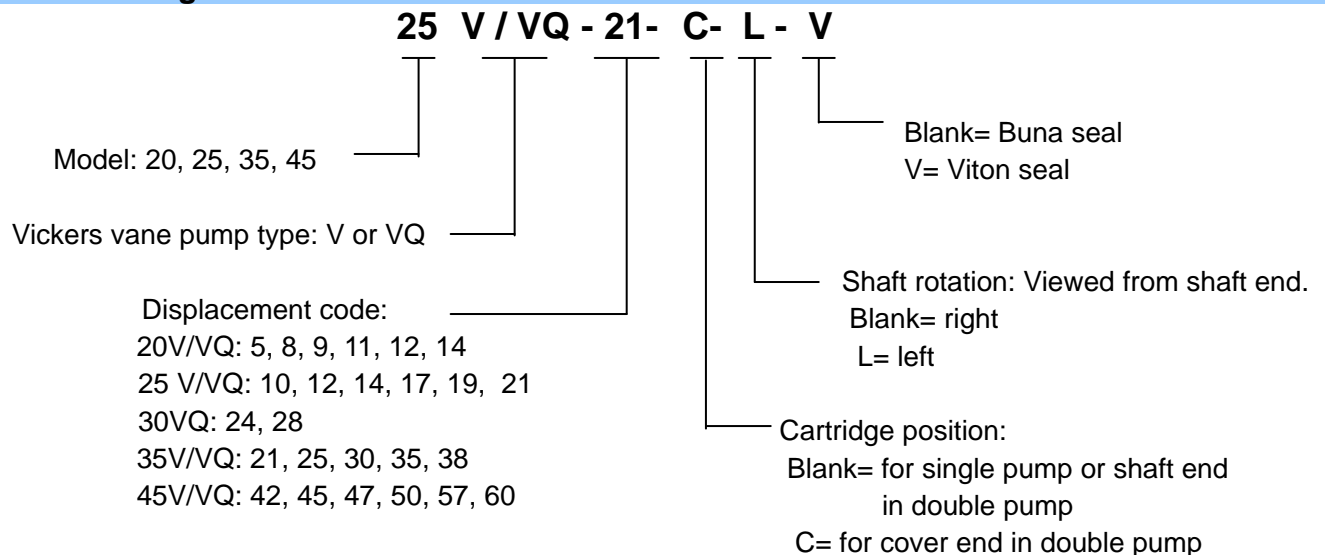
- Complete single and double vane pumps
- Cartridges kits and its spare parts
- Single and double vane pump shafts
- Single and double vane pump parts



Features

- Replacement parts for fixed displacement Vickers vane pumps (single and double vane pump V/VQ series).
- Available in both 12 vanes design for industrial application with quiet operating and 10 vanes design for mobile application with higher pressure and wider range of speed.
- With the cartridge independent of the shaft, allowing for easy change of flow capacity and field servicing without removing the pump from its mounting.
- We produced full range of Eaton Vickers cartridge kits for the V, VQ series vane pump.

Ordering code:





OEM Replacement of Vickers Vane Pump Cartridge Kits Listing

www.hydpump.com

VQ series Vickers Hydraulic Pump Parts

Vickers VQ Seal Kits		
Vane pump	Vickers Part Number	Description
20VQ	433762	20 Seal Pack (4 Req'd)
25VQ	920021	Single VQ Seal Kit
	920023	Single VQ Seal Kit - Viton
	920022	Double VQ Seal Kit
	920024	Double VQ Seal Kit - Viton
	433764	Seal Pack (4 Req'd)
35VQ	920015	Single VQ Seal Kit
	920029	Single VQ Seal Kit - Viton
	920016	Double VQ Seal Kit
	920030	Double VQ Seal Kit - Viton
	433766	Seal Pack (4 Req'd)
45VQ	920025	Single VQ Seal Kit
	920027	Single VQ Seal Kit - Viton
	920026	Double VQ Seal Kit
	920028	Double VQ Seal Kit - Viton
	433768	Seal Pack (4 Req'd)
2520VQ	920040	Single VQ Seal Kit
	920042	Single VQ Seal Kit - Viton
	920041	Double VQ Seal Kit
	920043	Double VQ Seal Kit - Viton
3520VQ	920048	Single VQ Seal Kit
	920050	Single VQ Seal Kit - Viton
	920049	Double VQ Seal Kit
	920051	Double VQ Seal Kit - Viton
3525VQ	920056	Single VQ Seal Kit
	920058	Single VQ Seal Kit - Viton
	920057	Double VQ Seal Kit
	920059	Double VQ Seal Kit - Viton
4520VQ	920060	Single VQ Seal Kit
	920062	Single VQ Seal Kit - Viton
	920061	Double VQ Seal Kit
	920063	Double VQ Seal Kit - Viton
4525VQ	920068	Single VQ Seal Kit
	920070	Single VQ Seal Kit - Viton
	920069	Double VQ Seal Kit
	920071	Double VQ Seal Kit - Viton
4535VQ	920072	Single VQ Seal Kit
	920074	Single VQ Seal Kit - Viton
	920073	Double VQ Seal Kit
	920075	Double VQ Seal Kit - Viton

Vickers VQ Cartridge Kits			
Vane pump	GPM	Vickers Part Number	Vickers Part Number
		BUNA N SEALS	VITON SEALS
20VQ	5	417053	421588
	8	417054	421589
	9	423096	423097
	11	416427	421590
	12	416428	421591
	14	416429	421592
25VQ	12	416439	421570
	14	416440	421571
	17	416441	421572
	19	421232	421573
	21	416442	421574
35VQ	21	413420	421582
	25	413421	421583
	30	413422	421584
	35	413418	421585
	38	413419	421586
45VQ	42	416435	419511
	47	421234	421954
	50	416436	419510
	57	421233	421955
	60	416437	419509

All items are Victory manufactured; OEM part #'s are displayed for reference purpose only.

Vickers V series Cartridge

Vane pump	Displacement	Vickers Old Part Number	Vickers New Part Number	Vickers Old Part Number	Vickers New Part Number
	GMP	BUNA N SEALS		VITON SEALS	
20V	5	585471	102507	588574	2102513
	8	585473	102508	588575	2102514
	11	585475	102509	588576	2102515
	12	585476	102510	588577	2102516
	14	585477	102511	588578	---
25V	12	591002	102532	591095	2102540
	14	591003	102533	591096	2102541
	17	591004	102534	591097	2102542
	21	591005	102535	591098	2102543
35V	25	578311	102552	584306	2102560
	30	578312	102553	584307	2102561
	35	578313	102554	584308	2102562
	38	578314	102555	584309	2102563
45V	42	581663	102572	584312	2102576
	45	582572	---	586331	---
	50	581664	102574	584313	2102577
	60	580919	102575	584314	2102578

V series Vickers Seal Kits: Vickers Vane Pump and Vane Motor

Vane Pump	Part Number	Description
25V / 30V	922850	Seal Kit
	919656	Seal Kit - Viton
35V	922851	Seal Kit
	919262	Seal Kit - Viton
45V	919850	Seal Kit
	919632	Seal Kit - Viton
50V	922853	Seal Kit
2520V	922856	Seal Kit
	919303	Seal Kit - Viton
3520V	922859	Seal Kit
	919304	Seal Kit - Viton
3525V	922862	Seal Kit
	919305	Seal Kit - Viton
4520V	922863	Seal Kit
	919616	Seal Kit - Viton
4525	922865	Seal Kit
	919345	Seal Kit - Viton
4535V	922866	Seal Kit
	919346	Seal Kit - Viton
25M	923157	Seal Kit
35M	923163	Seal Kit
45M	923106	Seal Kit
50M	923096	Seal Kit
V10	923548	Seal Kit
V110	922793	Seal Kit
V210	922732	Seal Kit
V20	922733	Seal Kit
V2010	923577	Seal Kit
V2020	923174	Seal Kit

Vickers V & VQ Vane Pump Spare Parts **Shafts**

Vane Pump	Code	Part Number	Description
25V / VQ	1	238755	Keyed
	3	242747	Keyed w/nut
	11	238929	Splined
35V / VQ	1	233624	Keyed
	11	242287	Splined
	19	275270	Splined - X-Long
	86	392669	Keyed - Heavy Duty
45V / VQ	1	233369	Keyed
	11	242885	Splined
	19	265575	Splined - X-Long
	86	361760	Keyed - Heavy Duty
50V / VQ	1	230642	Keyed
	11	197878	Splined
2520V / VQ	1	254964	Keyed
	11	254848	Splined
	25	293360	Splined - X-Long
3520V / VQ	1	258249	Keyed
	11	258250	Splined
	19	260604	Splined - X-Long
	86	394517	Keyed - Heavy Duty
3525V / VQ	1	243448	Keyed
	11	243449	Splined
	19	247019	Splined - X-Long
	86	394036	Keyed - Heavy Duty
4520V / VQ	1	255533	Keyed
	11	255536	Splined
	86	361761	Keyed - Heavy Duty
4525V / VQ	1	233524	Keyed
	11	233527	Splined
	19	247102	Splined - X-Long
	86	361762	Keyed - Heavy Duty
4535V / VQ	1	289083	Keyed
	11	289084	Splined
	19	280904	Splined - X-Long
	86	361763	Keyed - Heavy Duty
V10	1	142916	Keyed
V20	1	280372	Keyed
	3	280504	Key - Thd.
	6	297330	Key - Woodruff
	11	280515	Splined
	15	294922	Splined
	38	328096	Splined
V2020	1	308686	Keyed
	3	308925	Key - Thd.
	11	308926	Splined
	51	385517	Splined
25M motor	1	312153	Keyed
	11	312154	Splined
35M motor	1	310872	Keyed
	11	310873	Splined
45M motor	1	309404	Keyed
	11	309405	Splined
50M motor	1	309423	Keyed
	11	307224	Splined
VTM42	1	250455	Keyed

Vickers V & VQ Vane Pump Spare Parts

Shaft Seals

Part Number	Description
229235	Primary
229236	Primary
394976	Primary
429286	Primary Viton
429283	Secondary
394973	Primary
429284	Primary Viton
429281	Secondary
394974	Primary
429285	Primary Viton
429282	Secondary

Bearings

Part Number	Description
98574	Standard
1705	Standard
232750	Heavy Duty
38441	Standard
131812	Standard

Flex Plate Kits

Vane Pump	Description	Part Number
V20	Primary	229235
25VQ	Primary	229236
	Primary - Viton	429286
	Secondary	429283
35VQ	Primary	394973
	Primary - Viton	429284
	Secondary	429281
45VQ	Primary	394974
	Primary - Viton	429285
	Secondary - Viton	429282

Cam Rings

Vane Pump	Part Number	Description	Vane Pump	Part Number	Description
20V	254846	Cam Ring 20V05	35V	576210	Cam Ring 35V25
	250820	Cam Ring 20V08		576212	Cam Ring 35V30
	250819	Cam Ring 20V11		576214	Cam Ring 35V35
	256581	Cam Ring 20V12		575476	Cam Ring 35V38
	257953	Cam Ring 20V14		394961	Cam Ring 35VQ21
20VQ	333624	Cam Ring 20VQ05	35VQ	319396	Cam Ring 35VQ25
	333625	Cam Ring 20VQ08		319397	Cam Ring 35VQ30
	374799	Cam Ring 20VQ09		319398	Cam Ring 35VQ35
	333626	Cam Ring 20VQ11		319399	Cam Ring 35VQ38
	353901	Cam Ring 20VQ12	45V	581679	Cam Ring 45V42
	353902	Cam Ring 20VQ14		582570	Cam Ring 45V45
25V	584610	Cam Ring 25V12	45V	581680	Cam Ring 45V50
	584612	Cam Ring 25V14		578904	Cam Ring 45V60
	584614	Cam Ring 25V17		297510	Cam Ring 45VQ42
	584616	Cam Ring 25V21	297718	Cam Ring 45VQ47	
25VQ	326984	Cam Ring 25VQ12	45VQ	297502	Cam Ring 45VQ50
	326985	Cam Ring 25VQ14		306772	Cam Ring 45VQ57
	326986	Cam Ring 25VQ17		297503	Cam Ring 45VQ60
	326987	Cam Ring 25VQ19	V10	317674	Cam Ring V10-01
	326988	Cam Ring 25VQ21		317675	Cam Ring V10-02
30VQ	234470	Cam Ring 30VQ24	V10	317676	Cam Ring V10-03
	224525	Cam Ring 30VQ28		317676	Cam Ring V10-03