



RADIAL PISTON PUMP 11R

ENGINEERING

1

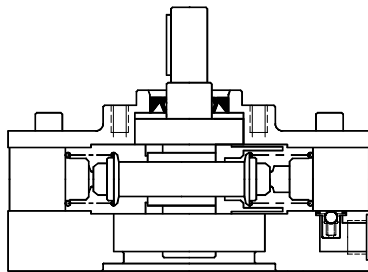
Ref. No. P09190
Release 10/2004

Description

Radial piston arrangement, with 5 or 7 pumping elements.
Oil immersed face mounting. Valve controlled. Fixed delivery.
Bi-directional rotation of shaft. With extension shaft for through
drive. Available with extension bracket assembly for coupling a
low pressure pump having standard flange.



Section

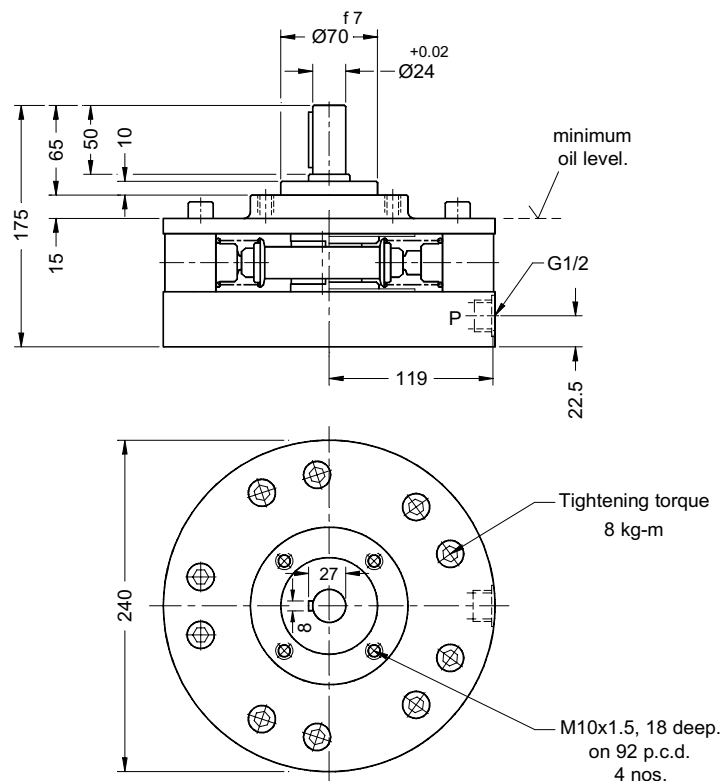


Hydraulic Symbol



Unit dimension

Dimensions in mm.



Polyhydron Pvt. Ltd.
78-80, Machhe Industrial Estate,
Machhe, Belgaum - 590 014. INDIA.

Phone : +91-(0)831-2411001
Fax : +91-(0)831-2411002
E-mail : polyhydron@vsnl.com
Website : www.polyhydron.com



RADIAL PISTON PUMP 11R

ENGINEERING

2

Ref. No. P09190

Technical specification

Designation	11R basic radial piston pump group.
Design	Radial piston, valve controlled.
No. of pistons	5 or 7; depending upon flow requirement.
Mounting	Face mounting.
Interface	Factory standard.
Direction of rotation	Can be run in either direction.
11R	
11RE	Depends upon the direction of rotation of pump attached.
Connection	Suction Sucks oil directly from tank, no suction port is provided
Delivery	G 1/2 female.
Speed range	1000 to 2000 rpm.
Hydraulic medium	Mineral oil.
Viscosity range	10 to 100 cSt.
Optimum Viscosity range	16 to 32 cSt.
Temperature range	-10 °C to +80 °C.
	(Do not exceed viscosity limits at extreme temperatures for efficient running of the pump)
Fluid cleanliness requirement	As per ISO Code 16/13.
Performance	Refer Table.
Mass	24kg.

Table

Code No.	Geometrical displacement CC / REV	Rated output at 1450 rpm l / min	Rated output at 1450 rpm & 95% efficiency l/min.	Operating pressure bar	Input power requirement (@ 1450 rpm & 95% efficiency)																	
					50 bar		100 bar		150 bar		200 bar		250 bar		300 bar		315 bar		350 bar		400 bar	
					kW	hp	kW	hp	kW	hp	kW	hp	kW	hp	kW	hp	kW	hp	kW	hp	kW	hp
5A	7.7	11.2	10.6	400	1	1.4	2.1	2.8	3.1	4.2	4.1	5.6	5.1	7	6.2	8.4	6.5	8.8	7.2	9.8	8.2	11.1
7A	10.8	15.7	14.9	400	1.4	2	2.9	3.9	4.3	5.9	5.8	7.8	7.2	9.8	8.7	11.8	9.1	12.3	10.1	13.7	11.5	15.7
5B	10.1	14.7	14	315	1.4	1.8	2.7	3.7	4.1	5.5	5.4	7.3	6.8	9.2	8.1	11	8.5	11.6				
7B	14.1	20.5	19.5	315	1.9	2.6	3.8	5.1	5.7	7.7	7.5	10.2	9.4	12.8	11.3	15.4	11.9	16.1				
5C	12.7	18.5	17.6	250	1.7	2.3	3.4	4.6	5.1	6.9	6.8	9.2	8.5	11.5								
7C	17.8	25.8	24.5	250	2.4	3.2	4.7	6.4	7.5	9.7	9.5	12.9	11.9	16.1								

Note :

The first digit in the code No. indicates No. of pumping elements in the pump. The second letter indicates flow and pressure rating of the pumping elements. Code No. 7C for example, indicates a pump with 7 pumping elements having rated flow of 24.5 l / min and operating pressure upto 250 bar.



RADIAL PISTON PUMP 11R

ENGINEERING

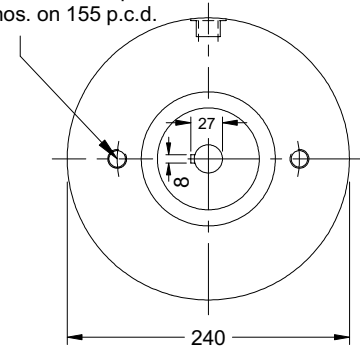
3

Ref. No. P09190

Accessorie

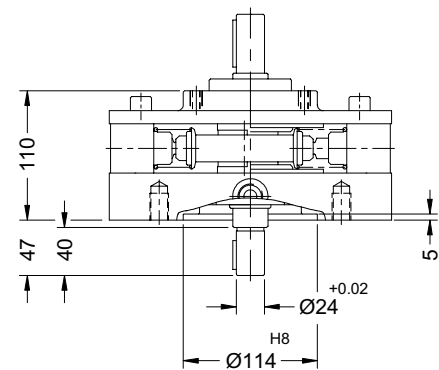
Extension shaft (For through drive)
Unit dimensions

M16x2, 26 deep.
2 nos. on 155 p.c.d.

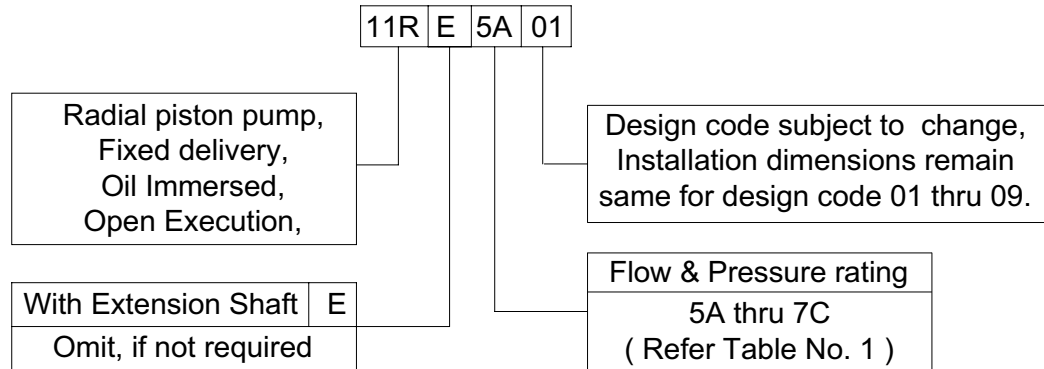


Note :

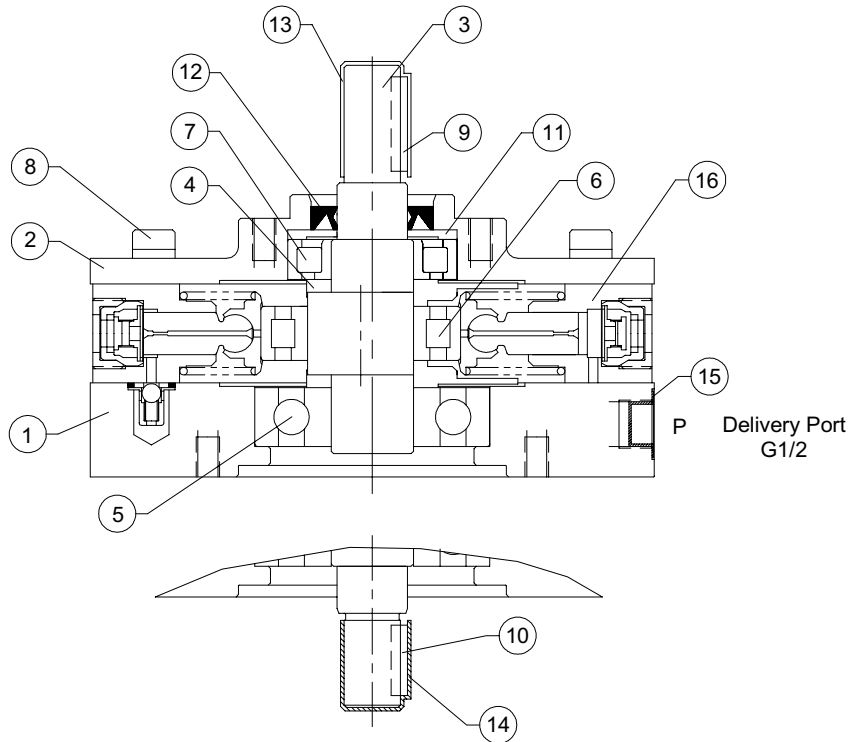
Torque limitation :- The sum of torque used for the piston pump and torque used at extended shaft end should not exceed 148 Nm. (22.2 kW @ 1450 rpm)



Ordering code



Note : For Bell housing refer sheet No.P09035.
For Extension bracket sheet No. P09090.

Sectional view & Parts Detail


		11R5/7	11RE5/7		
Sl. No.	Description	Part No.		Size	Qty.
1	Valve plate	12201/12203	12201/12203		1
2	Cover plate	12221/12223	12221/12223		1
3	Shaft	12241	12242		1
4	Balancing Plate	12251			2
5	Bottom Bearing	12261		6407	1
6	Centre Bearing.	12262		NUP 2206	1
7	Top Bearing.	12263		NJ 207	1
8	Cap screw	12264		M12x70 L	10/14
9	Shaft Key	12277		8x7x40	1
10	Shaft Key	---	12278	8x7x30	1
11	Washer	12281			1
*12	Rotary shaft seal	12266		Dou.Lip 52	1
13	Plastic cap	12270		11R	1
14	Plastic cap	---	12271	11RE (Shaft)	1
15	Rubber Port Plug	00011		G 1/2 Plug Cap	1
Sl.No.	Description	Product		Qty.	
16	Pump element assly. (Refer Data Sheet No. A 12100)	11R-A-01 11R-B-01 11R-C-01		10/14	

Note :-

Specified part numbers are available as spares.

* Recommended seal kit.

All rights reserved.
Subject to revision.